

Specifications

Electrical Ratings	30mA @ 28VDC	Dielectric Strength	250Vrms min
Electrical Life	200,000 cycles	Insulation Resistance	≥1000MΩ min
Contact Resistance	≤50mΩ initial	Operating Temperature	-40°C to +95°C
Actuation Force	Single Action : 325 ± 100gF Double Action : Force 1 : 600 ± 100gF Force 2 : 1200 ± 150gF	Storage Temperature	-40°C to +95°C
Actuator Travel	To operating point 1 : 0.90 ± 0.30mm To operating point 2 : 1.70 ± 0.30mm		

Materials

Actuator	POM
Base	6/6 Nylon
Spring	Piano Wire
Contacts	Copper Alloy, Gold Plated
Terminals	Copper Alloy, Gold Plated

Ordering Information - Single Action Key Switch

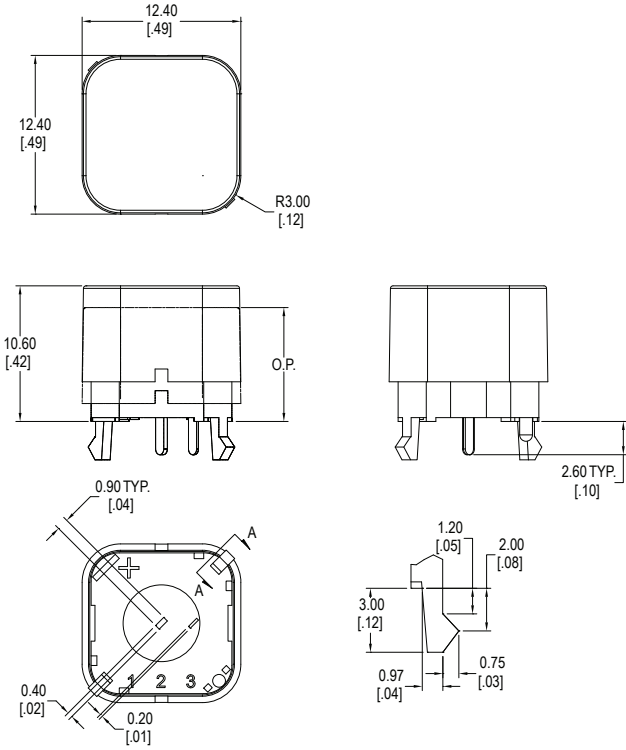
1. Series	DSA	3001	F325
DSA			
2. Switch Function	3001 = SPST N.O.		
3. Actuation Force	F325 = 325gF		

Ordering Information - Double Action Key Switch

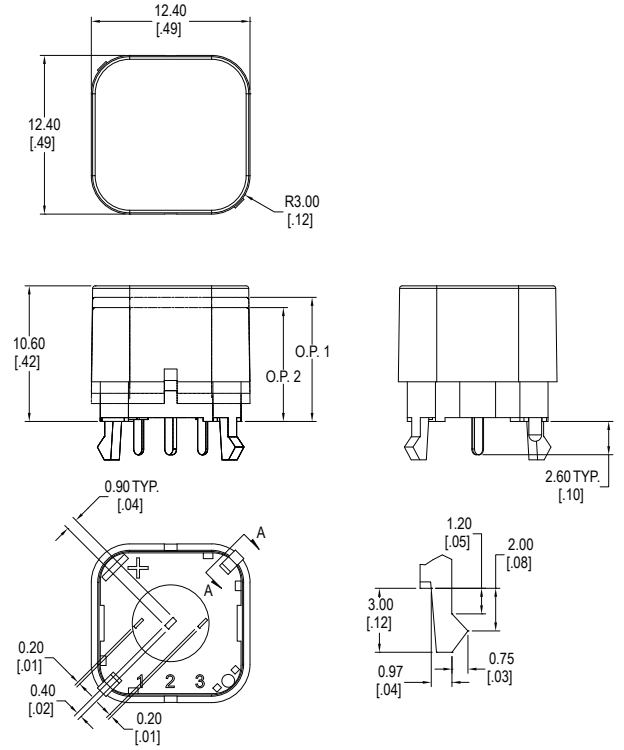
1. Series	DSA	3002	F600	F1200
DSA				
2. Switch Function	3002 = SPDT			
3. Actuation Force 1	F600 = 600gF			
4. Actuation Force 2	F1200 = 1200gF			

Dimensions

DSA3001, Single Action



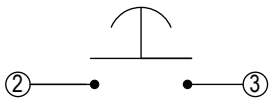
DSA3002, Double Action



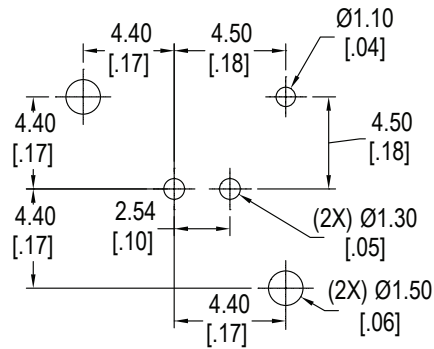
Schematics & PC Layout

DSA3001, Single Action

Schematic

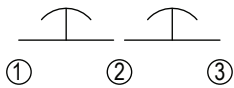


PCB Layout, Top View

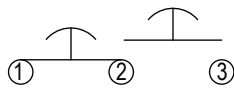


DSA3001, Double Action

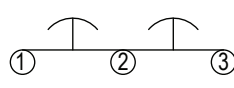
Schematic, Normal



Schematic, 1st Action



Schematic, 2nd Action



PCB Layout, Top View

